

Job Name:

System Reference:

Date:

Indoor Unit:

PKA-A12HA7

Outdoor Unit:

 PUZ-A12NKA7 PUZ-A12NKA7-BS**INDOOR UNIT FEATURES**

- Sleek, compact design
- Simple installation
- Vane setting for air flow direction control
- Auto fan speed mode
- Ideal for spaces such as server rooms, daycare centers, classrooms, churches, small offices, and more

OUTDOOR UNIT FEATURES

- Variable speed INVERTER-driven compressor
- Suction accumulator pre-charged with refrigerant volume for piping length up to 100 ft (70 ft. for A12/18/24/30)
- 24-hour continuous operation (cooling mode)
- High pressure protection
- Fast restart due to bypass valve make it ideal for equipment cooling applications, such as data centers
- Superior energy and operational efficiency

SPECIFICATIONS: PKA-A12HA7 & PUZ-A12NKA7(-BS)

Model number	Indoor unit		PKA-A12HA7	
	Outdoor unit		PUZ-A12NKA7	
			PUZ-A12NKA7-BS	
Cooling*1	Maximum Capacity	Btu/h	12,000	
	Rated Capacity	Btu/h	12,000	
	Minimum Capacity	Btu/h	5,800	
	Maximum Power Input	W	1,000	
	Rated Power Input	W	1,000	
	Moisture Removal	Pints/h	2.00	
	Sensible Heat Factor		0.81	
	Power factor	%	94.50	
Heating at 47° F*2	Maximum Capacity	Btu/h	18,000	
	Rated Capacity	Btu/h	14,000	
	Minimum Capacity	Btu/h	5,500	
	Maximum Power Input	W	1,600	
	Rated Power Input	W	950	
	Power factor	%	93.90	
Heating at 17° F*3	Maximum Capacity	Btu/h	11,100	
	Rated Capacity	Btu/h	9,200	
	Maximum Power Input	W	1,050	
	Rated Power Input	W	1,020	
Efficiency	SEER		20.80	
	EER *1		12.00	
	HSPF (IV)		10.20	
	COP at 47° F *2		4.31	
	COP at 17° F *3		2.64	
Electrical	Voltage, Phase, Frequency		208 / 230V, 1-phase, 60 Hz	
	Guaranteed Voltage Range	V AC	187 - 253	
	Voltage: Indoor - Outdoor, S1-S2		V AC	208V / 230
	Voltage: Indoor - Outdoor, S2-S3		V DC	24
	Voltage: Indoor - Remote controller		V DC	12
	Recommended Fuse/Breaker Size		A	15
	Recommended Wire Size (Indoor - Outdoor)		AWG	14
Indoor unit	MCA	A	1.00	
	MOCP	A	15.00	
	Fan Motor Full Load Amperage	A	0.33	

SPECIFICATIONS: PKA-A12HA7 & PUZ-A12NKA7(-BS)

Model number	Indoor unit		PKA-A12HA7
	Outdoor unit		PUZ-A12NKA7
			PUZ-A12NKA7-BS
	Fan Motor Output	W	30
	Airflow Rate, Dry	CFM	320-370-425
	Airflow Rate, Wet	CFM	290-335-380
	External Static Pressure	in.WG	n/a
	Sound Pressure Level	dB(A)	36-40-43
	Drain Pipe Size	In. (mm)	5/8 (16)
	Condensate Lift Mechanism, Max. Distance	Ft. (m)	n/a
	Heat Exchanger Type		Plate fin coil
	External finish color		White Munsell 1.0Y 9.2/0.2
	Unit Dimensions // Grille Dimensions	W: In. (mm)	35-3/8 (898)
		D: In. (mm)	9-13/16 (249)
		H: In. (mm)	11-5/8 (295)
	Package Dimensions // Grille Dimensions	W: In.	39-6/16
		D: In.	15-12/16
		H: In.	13-6/16
	Unit Weight	Lbs. (kg)	29 (13)
	Package Weight	Lbs.	33
Indoor unit operating temperature range	Cooling Intake Air Temp (Maximum / Minimum)	° F	90 DB, 73 WB / 66 DB, 59 WB
	Heating Intake Air Temp (Maximum / Minimum)	° F	82 DB / 50 DB
Outdoor unit	MCA	A	11
	MOCP	A	28
	Fan Motor Full Load Amperage	A	0.5
	Fan Motor Output	W	46
	Airflow Rate	CFM	1,590
	Refrigerant Control		Electronic Expansion Valve
	Defrost Method		Reverse Cycle
	Heat Exchanger Type		Cross fin
	Sound Pressure Level, Cooling*1	dB(A)	44
	Sound Pressure Level, Heating*2	dB(A)	46
	Compressor Type		INVERTER-driven twin rotary
	Compressor Model		SNB092FNCM
	Compressor Rated Load Amps	A	7

SPECIFICATIONS: PKA-A12HA7 & PUZ-A12NKA7(-BS)

Model number	Indoor unit		PKA-A12HA7	
	Outdoor unit		PUZ-A12NKA7	
			PUZ-A12NKA7-BS	
	Compressor Locked Rotor Amps	A	12	
	Compressor Oil Type // Charge	oz.	FV50S // 12	
	External finish color		Ivory Munsell 3Y 7.8/1.1	
	Base pan heater		n/a	
	Unit Dimensions	W: In. (mm)		31-13/16 + 7/16 (809+62)
		D: In. (mm)		11-3/16 (300)
		H: In. (mm)		24-13/16 (630)
	Package Dimensions	W: In.		37-1/16
		D: In.		16-3/16
		H: In.		27-7/16
	Unit Weight	Lbs.		93 (42)
	Package Weight	Lbs.		104 (47)
Outdoor unit operating temperature range	Cooling Intake Air Temp (Maximum / Minimum)	°F	115 DB / 0* DB	
	Heating Intake Air Temp (Maximum / Minimum)	°F	70 DB, 59 WB / 12 DB, 10 WB	
	Thermal Lock-out / Re-start Temperatures**	°F	8 / 12 DB	
Refrigerant	Type		R410A	
	Charge	Lbs, oz	4 lbs, 7 oz	
Piping	Gas Pipe Size O.D. (Flared)	In.(mm)	1/2 (12.7)	
	Liquid Pipe Size O.D. (Flared)	In.(mm)	1/4 (6.35)	
	Maximum Piping Length	Ft. (m)	100 (30)	
	Maximum Height Difference	Ft. (m)	100 (30)	
	Maximum Number of Bends		15	

AHRI Rated Conditions	*1 Cooling (Indoor // Outdoor)	°F	80°F DB, 67°F WB // 95°F DB, 75°F WB
	*2 Heating at 47°F (Indoor // Outdoor)	°F	70°F DB, 60°F WB // 47°F DB, 43°F WB
	*3 Heating at 17°F (Indoor // Outdoor)	°F	70°F DB, 60°F WB // 17°F DB, 15°F WB
Conditions	*4 Heating at 5°F (Indoor // Outdoor)	°F	70°F DB, 60°F WB // -4°F DB, -5°F WB

Notes

*Wind baffles required to operate below 23°F DB in cooling mode. PUZ with wind baffle: 0°F - 115°F.

**System cuts out in heating mode to avoid thermistor error and automatically restarts at these temperatures

SPECIFICATIONS: PKA-A12HA7 & PUZ-A12NKA7(-BS)

SEACOAST PROTECTION

External Outer Panel: Phosphate coating + Acrylic-Enamel coating

Fan Motor Support: Epoxy resin coating (at edge face)

Separator Assembly; Valve Bed: Epoxy resin coating (at edge face)

“Blue Fin” treatment is an anti-corrosion treatment that is applied to the condenser coil to protect it against airborne contaminants.

Notes:

ACCESSORIES: PKA-A12HA7 & PUZ-A12NKA7(-BS)

PKA-A12HA7	
3-Pole Disconnect Switch (30A/600V/UL) [fits 2" X 4" utility box]	<input type="checkbox"/> TAZ-MS303
Drain Pan Level Sensor (Control for indoor unit shut off to prevent drain pan overflow)	<input type="checkbox"/> DPLS2
Advanced Blue Diamond Mini-Condensation pump w/ Reservoir & Sensor (110V)	<input type="checkbox"/> X87-711 - 110
Advanced Blue Diamond Mini-Condensation pump w/ Reservoir & Sensor (208/230V)	<input type="checkbox"/> X87-721 - 208/230
MicroBlue Blue Diamond Mini Condensate Pump (110/208/230V)	<input type="checkbox"/> XA5-003
Extension Cord for Blue Diamond Pump	<input type="checkbox"/> C13-103
Sauermann Mini-Condensation pump (115V)	<input type="checkbox"/> SI30-115
Sauermann Mini-Condensation pump (230V)	<input type="checkbox"/> SI30-230
MegaBlue Blue Diamond Condensate Pump (110-230V)	<input type="checkbox"/> X87-835
Remote Sensor (extensible)	<input type="checkbox"/> PAC-SE41TS-E
Connector for CN32 (remote ON/OFF)	<input type="checkbox"/> PAC-SE55RA-E
Connector for CN152 (Back up heating)	<input type="checkbox"/> PAC-SE59RA-E
External fan / Heater control relay adapter	<input type="checkbox"/> CN24RELAY-KIT-CM3
Backlit, wall-mounted, wireless	<input type="checkbox"/> MHK1
Wireless Remote Controller	<input type="checkbox"/> MRCH1
Wireless Receiver	<input type="checkbox"/> MFH1
Portable Central Controller	<input type="checkbox"/> MCCH1
Outside Air Sensor	<input type="checkbox"/> MOS1
Wireless adapter	<input type="checkbox"/> PAC-USWHS002-WF-1
BACnet® and Modbus Interface	<input type="checkbox"/> PAC-UKPRC001-CN-1
Wall-mounted, Wired	<input type="checkbox"/> PAC-YT53CRAU-J
Wired remote controller	<input type="checkbox"/> PAR-32MAA-J
T-STAT Interface	<input type="checkbox"/> PAC-US444CN-1
Wired remote controller	<input type="checkbox"/> PAR-32MAA
Simple remote controller	<input type="checkbox"/> PAC-YT53CRAU
Wireless Remote Controller	<input type="checkbox"/> PAR-FL32MA-E
Wire for Remote ON/OFF with CN32 connector	<input type="checkbox"/> PAC-715AD
Lockdown Bracket for wireless, hand-held, remote controllers	<input type="checkbox"/> RCMKP1CB

PUZ-A12NKA7(-BS)	
Air Outlet Guide	<input type="checkbox"/> PAC-SJ07SG-E
Front Wind Baffle	<input type="checkbox"/> WB-PA
Drain socket	<input type="checkbox"/> PAC-SJ08DS-E
Centralized Drain Pan	<input type="checkbox"/> PAC-SG63DP-E
M-NET Converter	<input type="checkbox"/> PAC-SJ19MA-E

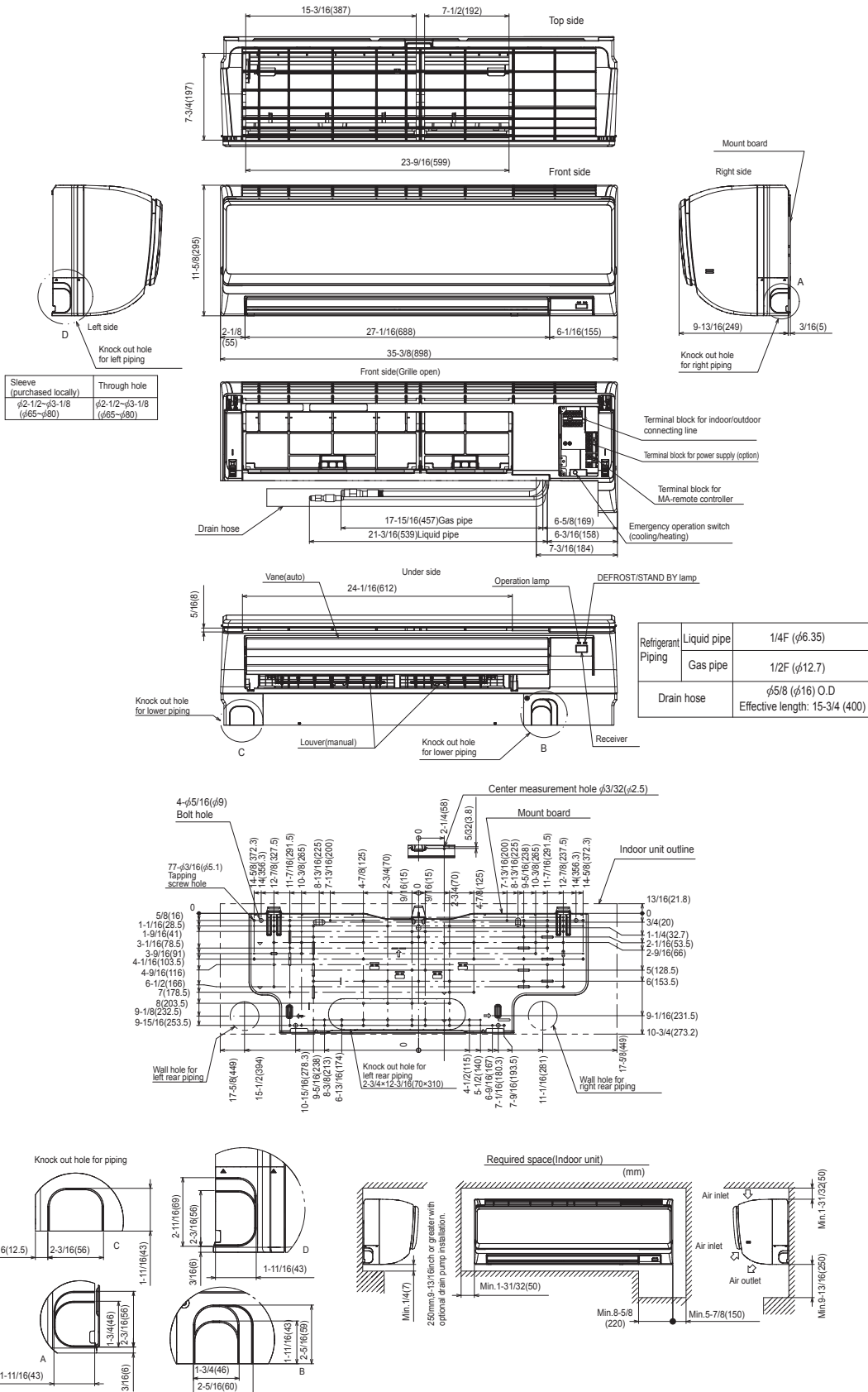
ACCESSORIES: PKA-A12HA7 & PUZ-A12NKA7(-BS)

PUZ-A12NKA7(-BS)	
Control/Service Tool	<input type="checkbox"/> PAC-SK52ST
Wall mounting bracket (powder-coated steel)	<input type="checkbox"/> QCWB2000M-1
Wall mounting bracket (316 Series Stainless Steel)	<input type="checkbox"/> QCWBSS
M-NET control adapter for Building Management System	<input type="checkbox"/> PAC-SF83MA-E
Outdoor Unit Mounting Pad 16" x 36" x 3"	<input type="checkbox"/> ULTRILITE1
Outdoor Unit 3-1/4 inch Mounting Base - Pair (Plastic)	<input type="checkbox"/> DSD-400N
MiniSplit Mounting Stand-Single Fan models - 12"	<input type="checkbox"/> QSMS1201M
MiniSplit Mounting Stand-Single Fan models - 18"	<input type="checkbox"/> QSMS1801M
MiniSplit Mounting Stand-Single Fan models - 24"	<input type="checkbox"/> QSMS2401M
1/4 x 1/2 x 15' / 1/2" Lineset (Twin-Tube Insulation)	<input type="checkbox"/> MLS141212T-15
1/4 x 1/2 x 30' / 1/2" Lineset (Twin-Tube Insulation)	<input type="checkbox"/> MLS141212T-30
1/4 x 1/2 x 50' / 1/2" Lineset (Twin-Tube Insulation)	<input type="checkbox"/> MLS141212T-50
1/4 x 1/2 x 65' / 1/2" Lineset (Twin-Tube Insulation)	<input type="checkbox"/> MLS141212T-65
1/4 x 1/2 x 100' / 1/2" Lineset (Twin-Tube Insulation)	<input type="checkbox"/> MLS141212T-100

DIMENSIONS: PKA-A12HA7 & PUZ-A12NKA7 (-BS)

PKA-A12HA7

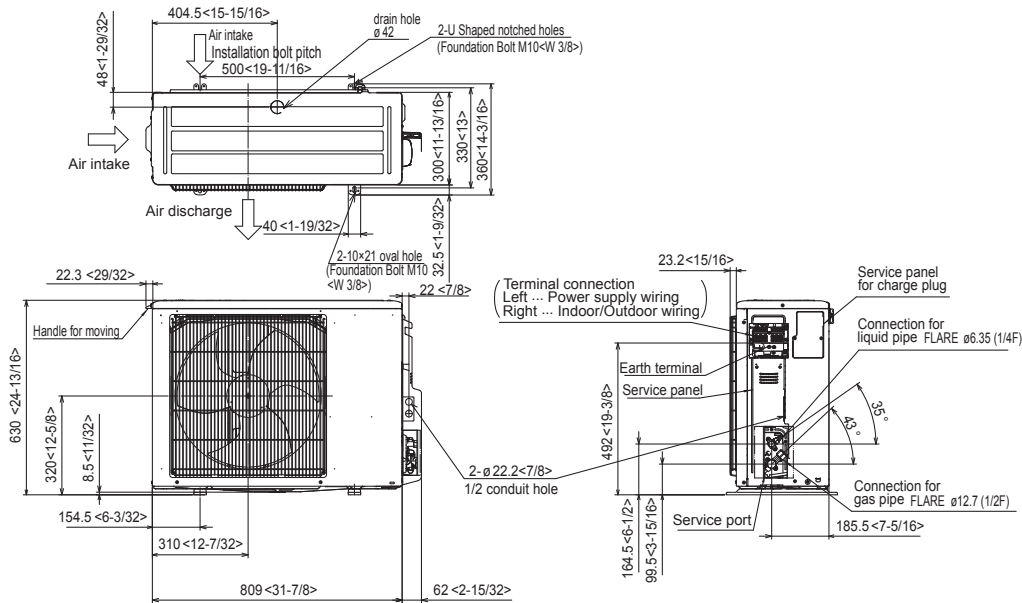
Unit: inch (mm)



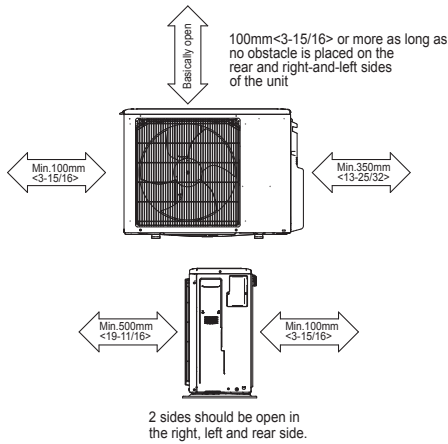
DIMENSIONS: PKA-A12HA7 & PUZ-A12NKA7 (-BS)

PUZ-A12NKA7(-BS)

Unit: mm<in>

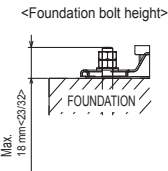


Free space around the outdoor unit (basic example)



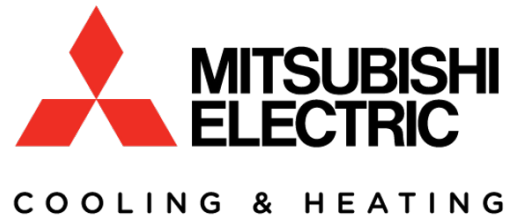
FOUNDATION BOLTS

Please secure the unit firmly with 4 foundation (M10<W3/8>) bolts. (Bolts, washers and nut must be purchased locally).



PIPING-WIRING DIRECTION

Piping and wiring connection can be made from the rear direction only.



1340 Satellite Boulevard, Suwanee, GA 30024
Toll Free: 800-433-4822 www.mehvac.com

FORM# PKA-A12HA7 / PUZ-A12NKA7(-BS) - 201701



Specifications are subject to change without notice.

Copyright © 2017 Mitsubishi Electric US, Inc.